



# WINDOWSHIELD FUSIBLE LINK

## FIRE SHUTTER



The Windowshield Fire Shutter was designed and engineered as a neat solution to meet the requirements of NCC Clause C3.4. It is also made in Australia by a 100% owned and operated Australian company.

The Windowshield Fire shutter is a DtS ('Deemed to Satisfy') solution as per the requirements of NCC Clause C3.4 and is designed to suit smaller openings of up to 2.75m W x 2.75m H.

- Economical
- Complies with AS1905.2 Fire Shutters
- Fire rated up to -/60/-
- Ultra slim unobtrusive design
- Easily retrofit over existing windows
- Powder coated to match any colour in the Dulux Duralloy range
- High quality product
- 1 year conditional warranty





## WINDOWSHIELD Fire Shutter

### I INTRODUCTION



Compact in design, the Windowshield Fire shutter is designed to be unobtrusive and made to suit your window openings!

Can be powder coated any colour in the Dulux Duralloy range to match clients tastes and building façade. We can also arrange to have other powercoat colours applied if desired, please contact one of our team to find out more 1300 665 471.

### I COMPLIANCE

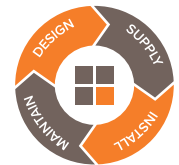
Windowshield Fire shutter has been full scale fire tested in strict accordance with AS1530.4

The Windowshield Fire shutter complies with the requirements AS1905.2, and Smoke Control will certify its installation with a certificate of compliance.



### INSTALLATION

In line with Smoke Control's mission to provide customers with reliable solutions, the Windowshield Fire Shutter system is installed by our fully trained and approved installer network.



### MAINTENANCE

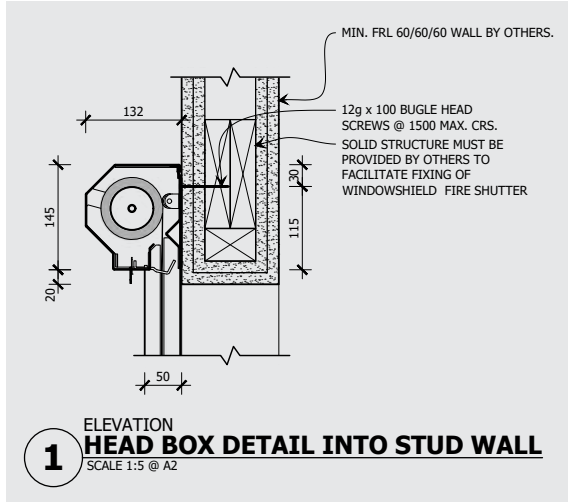
As with all essential services, Windowshield should be maintained in strict accordance with our documented procedures by fully trained and competent technicians. Operational tests alone are not considered adequate and when conducted by inexperienced personnel, may lead to damage of the product. Smoke Control offers a comprehensive preventative maintenance program which has proven costs savings over the life of the product.

Please contact our maintenance department for details on 1300 665 471.

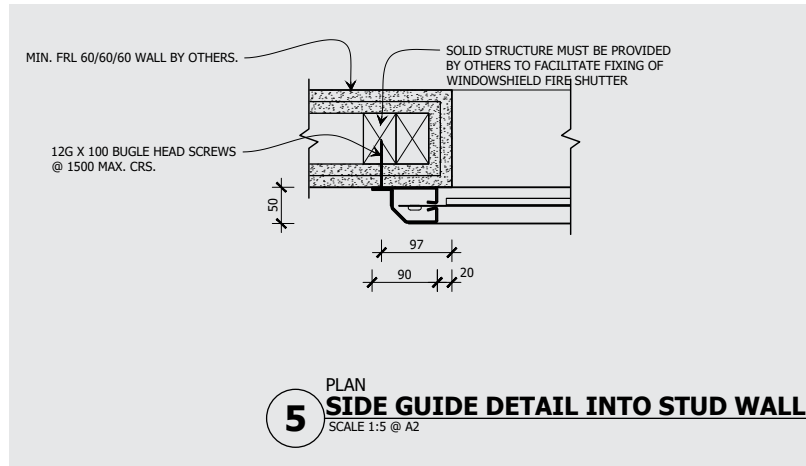


# WINDOWSHIELD Fire Shutter

## PRODUCT DIMENSIONS



Typical head box section



Typical side guide section



WE BELIEVE PEOPLE DESERVE TO WORK & LIVE IN SAFE & BEAUTIFUL BUILDINGS



## GENERAL INFORMATION

### I TECHNICAL SUPPORT



Smoke Control offers obligation free technical support and pricing throughout your design and documentation stage so you can accurately prepare your budgets through value engineering.

You can also download the set of specifications, drawings and technical data from our website [www.smokecontrol.com.au](http://www.smokecontrol.com.au).

Contact our technical department to discuss your project requirements, or feel free to arrange a meeting.

**Australia**  
1300 665 471

**International**  
+61 2 96814000

**New Zealand**  
+64 9 300 1980

## A LITTLE MORE ABOUT US...

Smoke Control was established in 2003. We partner with leading local and international organisations to work with the new performance-based design environment - in addition to the traditional prescriptive environment - designing and installing systems to meet the challenging fire and smoke control demands of modern buildings.

Constant research and development continue to enhance our offering of fire windows, fire shutters and fire & smoke curtains, bringing the most innovative technology to both regular and unique project challenges. If you cannot find what you are looking for, please contact our team as we may already have a solution for you.

Smoke Control services all regions in Australia and New Zealand via our own offices and people. International customers can contact our Australian office by phone or email for your nearest distributor.

*We believe people deserve to work & live  
in safe & beautiful buildings*

